



**MICRO SWITCH**

FREEPORT, ILLINOIS, U.S.A.  
A DIVISION OF HONEYWELL

FED. MFG. CODE 91929

# SWITCH - BASIC

CATALOG LISTING  
**BZ-2RQ69**

FORMTEK FO-80378

DRAWN LLD 16 APR 64

CHECK DAW 17 APR 64

REVISIONS

A	C017410	LLD	16 APR 64
B	C034353	BEN	4 NOV 74
C	C036099	P	6 JUN 77
D	CO-73287-D	KDR	8 JULY 93
E	CO-77592	DAW	15 AUG 94
F	C093346	DLT	1 SEP 98

ISSUE 9

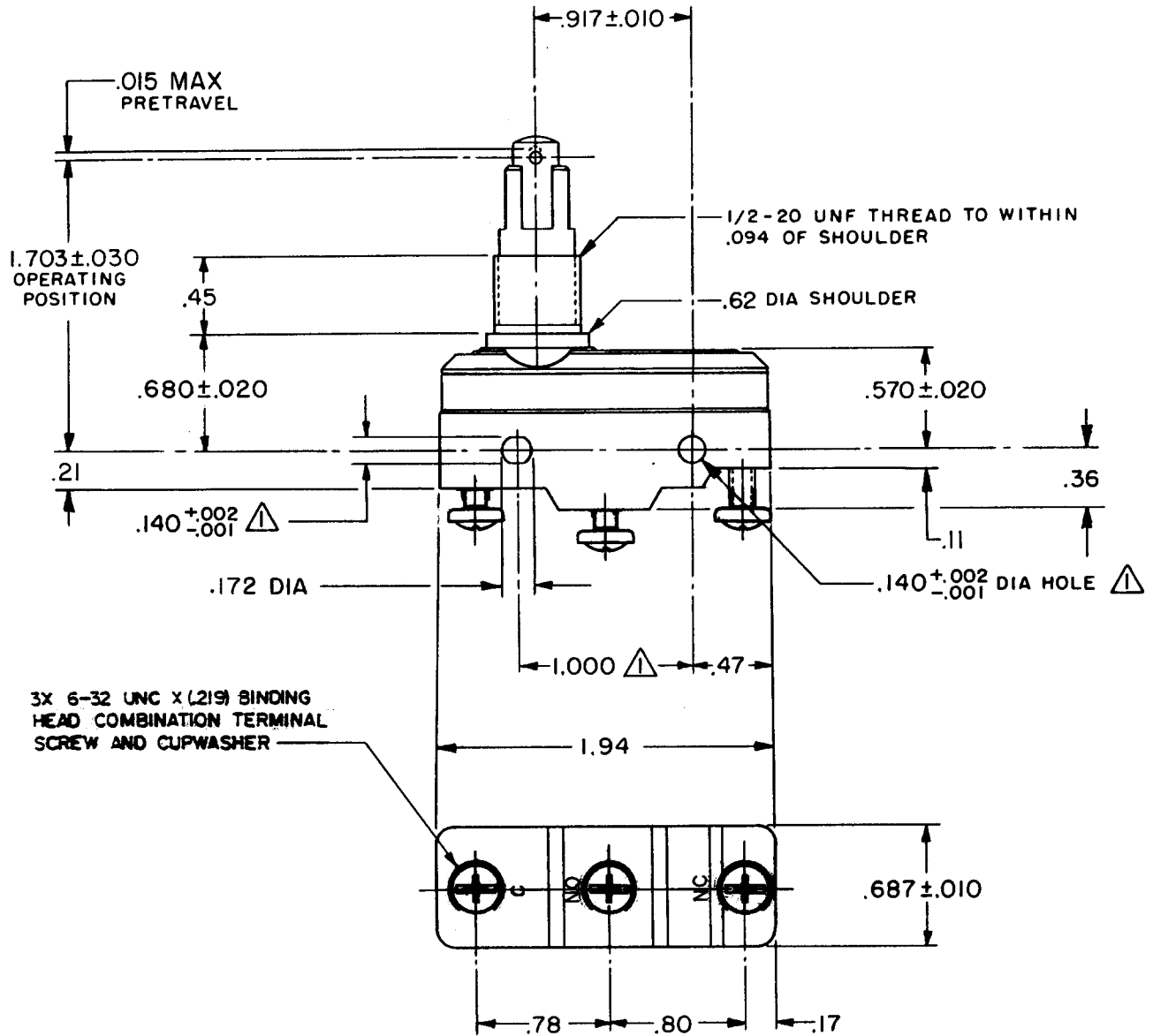
DRAWING NUMBER

M BZ-2RQ69

PAGE 1 OF 1

REPLACES

RELEASE NO.



NOTE

1 - MOUNTING HOLES WILL ACCEPT PINS OR SCREWS OF  $.139$  MAX DIA ON  $1.000 \pm .002$  CENTERS

2 - THIS IS A REPLACEMENT TYPE SWITCH,  $.50$  DIA ROLLER AND OTHER NECESSARY PARTS FURNISHED UNASSEMBLED AS A PACKET

THIS DRAWING COVERS A PROPRIETARY ITEM AND IS THE PROPERTY OF MICRO SWITCH, A DIVISION OF MINNEAPOLIS-HONEYWELL REGULATOR CO. THIS DRAWING IS NOT TO BE COPIED OR USED WITHOUT THE APPROVAL OF MICRO SWITCH.

CHARACTERISTICS	ELECTRICAL DATA	SCALE FULL
OPERATING FORCE ----- 9-13 OZ	CONTACT ARRANGEMENT S P D T	DO NOT SCALE PRINT
RELEASE FORCE ----- 4 OZ MIN	UL LISTED - FILE E12252 15A-125, 250 OR 480 VAC, 2A-600 VAC 1/8HP-125 VAC; 1/4HP-250 VAC CODE L74 1/2A-125 VDC; 1/4A-250 VDC	UNLESS OTHERWISE NOTED DIMENSIONS ARE IN INCHES
DIFFERENTIAL TRAVEL --- .0004-.0020	L288	<b>TOLERANCES ARE:</b>
OVERTRAVEL ----- .141 MIN	L299	ONE PLACE (.0) $\pm .030$
	L306	TWO PLACE (.00) $\pm .015$
	16A 250V  T85 5E4	THREE PLACE (.000) $\pm .005$
		ANGLES $\pm$
		WEIGHT .138 LB